

Read this document carefully to use this product safely and correctly. If your product is faulty, please read the included warranty card and contact the store you purchased it from. If you require further assistance, contact your local Epson customer support center. See the Epson website for more information.

International ENERGY STAR® Compliance Statement

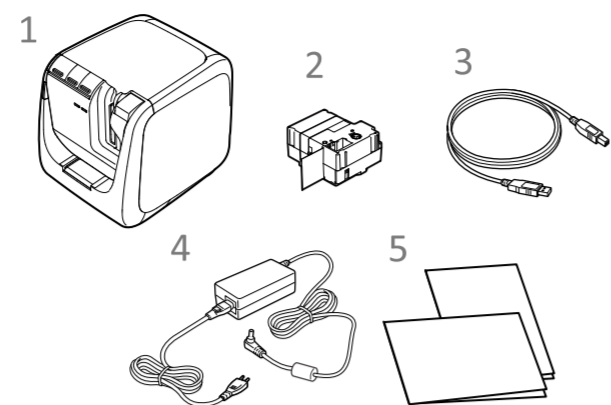
The purpose of the International ENERGY STAR® Program is to promote the development and popularization of energy-efficient office equipment.

As an ENERGY STAR® Partner, Seiko Epson Corporation has determined that this product meets the ENERGY STAR® guidelines for energy efficiency.



Checking Package Contents

Before using the printer, check that you have all the items below. Contact your place of purchase if anything is missing or damaged.



- 1 **LW-1000P**
- 2 **Tape cartridge**
- 3 **USB cable**
- 4 **AC adapter (AST1527Z1-1)**
- 5 **Documents**

Specifications

Printer

Dimensions	Approx. 123 (W) x 153 (D) x 139 (H) (mm)
Weight	Approx. 1,080g
Supported tape width	6 mm, 9 mm, 12 mm, 18 mm, 24 mm, 36 mm
Interface	USB 2.0 Full-speed, wired LAN (10/100BASE-TX), wireless LAN (IEEE 802.11b/g/n)

Temperature

Operating	5 to 35 degrees C
Storage	-10 to 55 degrees C

Software System Requirements

Software	Label Editor	Label Editor Lite	Epson apps*
OS	Windows	Mac	iOS, Android
Hard drive space	About 300 MB	About 40 MB	-
Display	1,024 x 768 (XGA) or higher resolution		-
Interface	USB 2.0 Full-speed, wired LAN (10/100BASE-TX), wireless LAN (IEEE 802.11b/g/n)	USB 2.0 Full-speed, wired LAN (10/100BASE-TX)	Wireless LAN (IEEE 802.11b/g/n)

*: Epson apps for mobile devices such as Epson iLabel.

For the latest information about the application software and the compatible operating systems, visit your local Epson website.

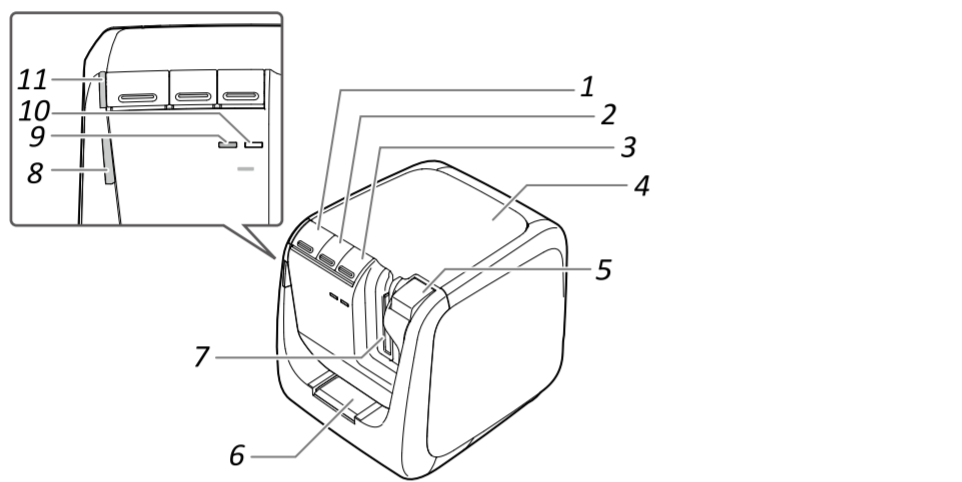
<http://www.epson.com>

Power supply

Type	AST1527Z1-1
Manufacturer	Seiko Epson Corp.
Input	AC100-240V, 0.9A, 50-60Hz (dedicated adapter, power cable only)
Output	DC15V, 2.7A
Total output power	41 W

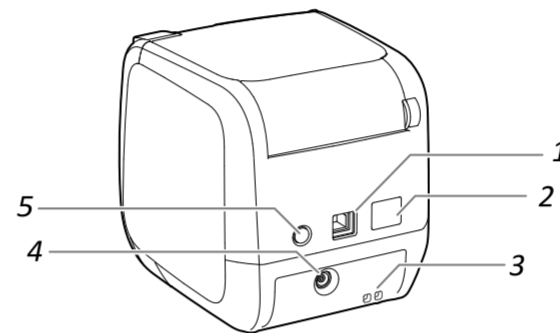
Names and Functions of Parts

Front



1. Power button	Turns the printer power ON/OFF.	5. Up button	Press to open the top cover.
2. Feed button	Perform the tape feed operation.	6. Tape insertion slot for trimmer	Tape can be inserted here to cut rounded corners.
3. Mode button	Switches the mode in accordance with the wireless LAN connection method being used. Switches to the next mode with each press. Infrastructure Mode/Simple AP Mode/wireless LAN OFF. The current mode is indicated by the lamps.	7. Tape outlet	Printed labels come out here.
4. Top cover	Can be opened to insert a tape cartridge, or for print head cleaning.	8. Error lamp	Flashes when an error occurs.
		9. Wireless LAN lamp	Indicates the wireless LAN connection status.
		10. Direct lamp	Indicates the wireless LAN connection status.
		11. Power lamp	Indicates the printer's power status.

Rear



1. USB port	Connects the included USB cable.
2. LAN port	Connects a LAN cable. *
3. Security hole	Lets you secure the printer to a desk or post with a commercial security wire lock or similar tool.
4. Power cord jack	Connects the included AC adapter.
5. WPS button	Press when setting a wireless LAN connection using WPS.

* Use a twisted-pair, Category 5 or higher, straight-through Ethernet cable wired for 10BASE-T or 100BASE-TX.

Meanings of lamps

The lamps indicate printer statuses.

Lamp	Lamp's condition	Printer status
Power lamp	Lit	Standby status
	Flashing	Operating (such as initializing, printing or feeding the tape)
	Unlit	Power OFF
Error lamp	Flashing	Printer error. Check the message displayed on the computer screen.
	Unlit	Operating normally
Wireless LAN lamp	Lit	Connected in Infrastructure Mode/initializing printer
	Flashing	Preparing to turn power ON/setting Infrastructure Mode
Simple AP Mode lamp	Unlit	Connected in Simple AP Mode/wireless LAN OFF
	Lit	Connected in Simple AP Mode/initializing printer
Direct AP Mode lamp	Flashing	Preparing to turn power ON/setting Simple AP Mode
	Unlit	Connected in Infrastructure Mode/wireless LAN OFF

Safety Instructions

For your safety, read the attached documents carefully to use this product correctly. After you have read all instructions, keep this manual handy for future reference and to make your concerns clear. Items below indicate safety precautions to protect users, their surroundings and their property from possible injury or damage. Precautionary notations are categorized as follows according to personal injury and damage to the equipment if the instructions are ignored or the equipment is misused.

WARNING This symbol indicates information that, if ignored, could possibly result in serious personal injury or even death due to incorrect handling.
CAUTION This symbol indicates information that, if ignored, could possibly result in personal injury, physical damage, or damage to equipment due to incorrect handling.
The following describes the meaning of each symbol used in the precautions.
This indicates an important reminder. This indicates a prohibited item. This indicates a mandatory procedure.

WARNING When using the AC adapter and power cable Do not use any AC adapter or power cable other than the dedicated AC adapter and power cable. Do not use the AC adapter with other than the specified voltage also. Otherwise, damage, overheating, fire or electric shock may occur.
Take the following precautions when handling the AC adapter and power cable. <ul style="list-style-type: none"> • Make sure to avoid octopus wiring. • Make sure the plug is not dusty before inserting it into an outlet. • Insert the plug firmly into the outlet. • Do not hold the AC adapter or the plug with wet hands. • Do not pull the power cable when disconnecting the plug. Be sure to hold the plug when disconnecting it. • Do not make any modification to the AC adapter or power cable. • Do not apply strong shocks to or put a heavy object on the AC adapter or power cable. • Do not bend or twist the AC adapter or power cable forcibly. • Do not place the AC adapter or power cable near a heater.
Do not use any damaged AC adapter or power cable. Otherwise, damage, overheating or smoking may occur, which may result in fire or electric shock.
Do not touch the plug during thunderstorms.

When using this product Do not apply any strong force or shocks to the product such as standing on, dropping or hitting it. Otherwise, the product may be broken, which may result in fire or electric shock. If it is damaged, turn off the power immediately, unplug the AC adapter, and then contact the Epson customer support center. Continuous use may result in fire or electric shock.
Take care not to spill any beverage such as tea, coffee or juice onto the product, or to spray aerosol insecticide. It may cause malfunction, fire, or electric shock. If any liquid has been spilled on the product, turn off the power, unplug the AC adapter, and then contact the Epson customer support center. Continuous use may result in fire or electric shock.
Do not touch the printhead because it becomes very hot. Otherwise, there is a risk of burns.
Do not open any covers other than the top cover. Doing so may result in fire or electric shock. Always use the product as instructed in this manual. Otherwise, damage or injury may occur.
Never modify or disassemble this product. Doing so may cause fire or electric shock. Do not carry out any operations not described in this manual, or the product may break or cause injury.
If any of the following abnormalities is observed, turn off the power immediately, unplug the AC adapter, and then contact the Epson customer support center. <ul style="list-style-type: none"> • If smoke, strange odors or unexpected noises come from the product • If liquid or foreign objects get inside the product • If the product has been dropped or damaged
Do not touch the tape eject slot, during printing or when the auto cutter is in operation. Otherwise there is a risk of injury.
May exert electromagnetic interference on, and cause malfunction of, cardiac pacemakers. Before using this product, check that there is no one in the vicinity using a cardiac pacemaker.
May exert electromagnetic interference on, and cause malfunction of, sensitive medical equipment. Before using this product, check that there is no sensitive medical equipment in the vicinity.
Use of this product on aircraft may be restricted in some countries. Before using this product, check that use of this product is not restricted on the aircraft.

When handling the auto trimmer Do not touch the tape outlet slot (where the labels come out) during printing or when the auto cutter is in operation. Otherwise, there is a risk of injury.
When cleaning the trimmer box, do not touch the trimmer blade, as there is a risk of injury. Do not insert anything other than labels into the trimmer inlet slot. Otherwise, damage to the trimmer may occur.

When handling the auto cutter Do not touch the tape outlet slot (where the labels come out) during printing or when the auto cutter is in operation. Otherwise, there is a risk of injury.
When handling the half cutter Do not touch the tape outlet slot (where the labels come out) during printing or when the auto cutter is in operation. Otherwise, there is a risk of injury.

Others Do not use or store the product, AC adapter, power cable, USB cable or tape cartridges in the following places. <ul style="list-style-type: none"> • In direct sunlight. • Where it may become extremely hot such as in a vehicle with the windows closed. • Where it may become extremely hot such as near a heater or the temperature becomes very unstable such as near the exhaust duct of an air conditioner. • Where the product may get wet due to a shower or rain such as in a bathroom or outdoors. • In a dusty place or where the product may be exposed to smoke or steam such as near the kitchen or a humidifier. • On an unstable place such as on a shabby table or on an inclined place. • Where it might be subjected to vibration or shock. • Near high-voltage power lines or something that generates a magnetic field.
Keep the plastic bags used to contain the product or this manual out of reach of children. Children may suffocate if they swallow them or put their heads into the bags.

CAUTION When using the AC adapter and power cable Do not unplug the AC adapter while the product is in operation, otherwise printing may not be successful.
Do not use the AC adapter in a small, confined space, or cover it with a cloth. Otherwise, the AC adapter may overheat and deteriorate.

When using this product Do not stand or put anything heavy on the product or place it on an unstable place such as on a shabby table or on an incline. Otherwise, the product may fall and cause injury.
To ensure safety, unplug this product before leaving it unused.
Before cleaning, make sure to unplug the AC adapter from the outlet.
Do not use a moistened cloth or solvents such as alcohol, thinner or benzene.
Do not block or insert objects into the supplied AC adapter socket or the tape eject slot.
To comply with RF exposure compliance requirements, a distance of at least 22 cm must be maintained at all times between the antenna of this product and people in the vicinity.

When handling tape cartridges • Make sure to use a dedicated LK Tape. • Some types of tape cannot be cut by the cutter. For the details, refer to the tape's manual. • Do not drop it or disassemble it. Doing so may cause damage. • Do not pull out the tape forcibly by hand. But make sure to feed the tape. Otherwise, the tape cartridge may be broken and unusable. • Avoid using a tape cartridge without remaining tape. Doing so may cause overheating of the printhead, which may result in damage or malfunction.

MEMO
Tape cartridges contain ink ribbons in them. When disposing of tape cartridges, make sure to follow the local regulations for disposal.

Frequency Precautions
The frequency band for this product is 2.4 GHz. This frequency range is the same frequency bandwidth as industrial, scientific, and medical devices such as microwave ovens and mobile unit identification (RF-ID) systems (licensed premises radio stations and unlicensed specified low-power radio stations) used in factory production lines. Before using this product, check that there are no radio stations for mobile unit identification or specified low-power radio station premises nearby. In the event that this product should interfere electromagnetically with the premises of a radio station used for mobile unit recognition, cease use immediately and stop generating the electromagnetic field. Contact your local Epson customer support center if this product interferes electromagnetically with a special low-power radio station used for mobile unit identification or causes similar problems.

International Travel Precautions
Wireless devices are designed to conform to the channel and frequency limits of the country they are intended to be used in. This product is based on the specifications of the country of sale. If this product is used outside the country of sale, check with your local Epson customer support center for more information.

Notes on Security when Using Wireless LAN
(Important information on customer rights (maintaining privacy))
The advantage of using a wireless LAN over a LAN cable is that, because information is exchanged using radio signals, you can easily connect to the network if you are within range of the radio signals. A disadvantage of this is that within a certain range, the electromagnetic signals can pass through barriers such as walls, so that if security countermeasures are not implemented in some way, problems such as the following may occur.

- Communicated data can be intercepted
- A third party may be able to receive wireless transmissions without authorization, and they could obtain personal information from these transmissions such as IDs, passwords, or credit card numbers, or they could intercept the contents of personal e-mail messages.
- Unauthorized access to the network
- A third party could access an individual or intra-company network without permission and carry out any of the following activities.
 - Retrieve personal data or other secret information (information leakage)
 - Pose as another user and send inappropriate data (impersonation)
 - Overwrite the contents of intercepted data and resend it (falsification)
 - Introduce a computer virus which could cause data loss or system crashes (damage)

Initially, the possibility that such problems could occur through settings concerning the security of the wireless LAN product and by using the product are decreased, because the wireless LAN card and the access point have security measures to deal with these problems. We recommend that you use this product after making security settings using your own judgment and assuming full responsibility, and with your full understanding of problems that may occur if you do not make any security settings.

Epson shall not be responsible for any leakage of data or information during data communication over wireless LAN.

Other cautions
• Take care not to cut your fingers when cutting the label with scissors.
• Do not attach a label on human bodies, living things, public facilities or other people's belongings.

Cleaning

WARNING
To prevent the risk of cuts, never insert fingers in the auto-trimmer.

CAUTION
Always turn the printer OFF before cleaning. Always use dedicated tape cartridges having the LK Tape symbol.

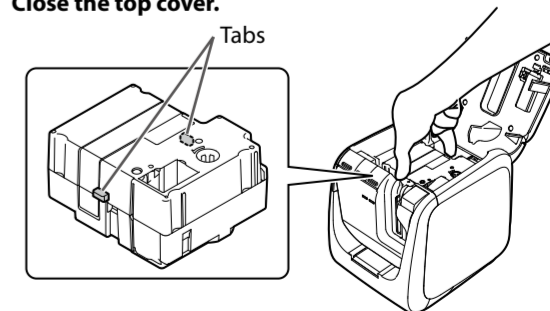
Printer
Wipe the printer with a soft, dry cloth. Never use solvents or chemicals such as benzene, paint thinner or alcohol. Never use a chemical cloth.

Print head
If streaks or smears appear on printouts, use a cotton swab or similar materials to wipe dirt off the print head.

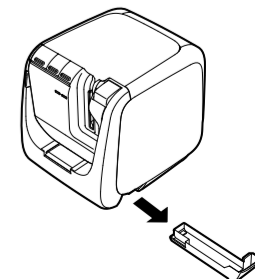
1. Press the **Up button** to open the top cover.
2. Clean the print head.
3. Close the top cover.

Replacing the tape cartridge

1. Press the **Up button** to open the top cover.
2. Hold the tape cartridge by the tabs, and lift it straight up.
3. Place a new tape cartridge in the printer.
4. Close the top cover.



1. Pull out the tray.
2. Remove the tape scraps, then insert the tray back in the printer.



Using the Printer

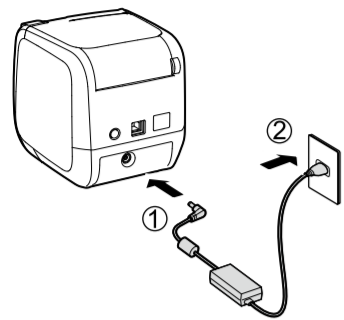
This section describes all the procedures from printer setup to printing and attaching a label. The descriptions of computer connection and other procedures are for Windows. If using the Mac, refer to the "Label Editor Lite for Macintosh User's Guide."

Printer Setup

1. Connecting the power cable

CAUTION
Always use the AC adapter provided.

1. Connect the AC adapter provided (AST1527Z1-1) to the printer, and plug the power plug into a power outlet.

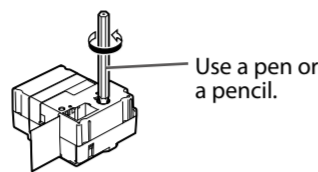


Auto power-off
The printer's power turns off automatically when the printer has not been used for about 8 hours.

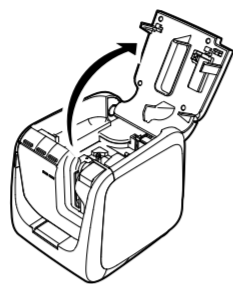
2. Inserting the tape cartridge in the printer

CAUTION
Always perform the tape feed operation after inserting a tape cartridge in the printer.

1. Remove any slack in the tape inside the tape cartridge.

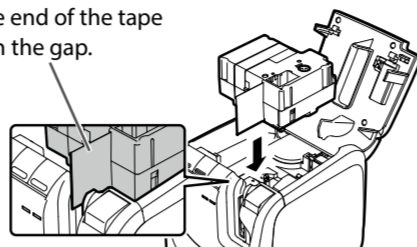


2. Press the button to open the top cover.

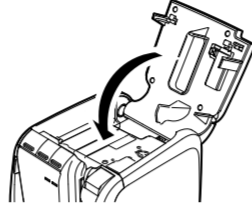


3. Place a tape cartridge in the printer as shown.

Pass the end of the tape through the gap.



4. Close the top cover.



5. Perform the tape feed operation.

- 1) Press the button to turn the printer power ON.
- 2) Press the button.

Downloading Printer Driver and Software

Download the Epson software necessary to create labels on your computer or mobile device, and to print them from the printer.

Mobile Device

Where to download the software



Epson Applications (Install the following applications.)
• Epson iLabel
• Epson Datacom

Computer

The following pieces of software are necessary to use the printer from your computer.

- Printer driver /Network setting tool
- Label editing software
- User's Guide of the label editing software (as needed)

Windows

Download them from your local Epson website. Search the software by its name "Label Editor".
<http://www.epson.com>

Mac

Printer driver/User's Guide of the label editing software. Download them from your local Epson website. Search the software by its name "Label Editor Lite".
<http://www.epson.com>

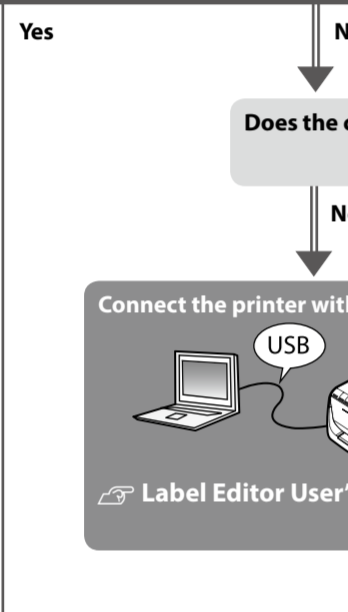
Label editing software. Available on the App Store. Search the software by its name "Label Editor Lite", then install it.

Determining the computer connection method

The printer supports wireless LAN connection, wired LAN connection and USB cable connection. The connection method will vary according to the environment it is installed in. Use the flowchart below to carry out the connection procedure.

Start

Can the computer be connected to the printer be connected to the Internet?



No

Does the computer have a wireless LAN function?

No

Connect the printer on a Wireless LAN (Simple AP Mode).

Network Configuration Guide
"Setting up a wireless LAN connection (Simple AP Mode)"

Yes

Is there a broadband router or access point, and is a wireless LAN function supported?

Yes

Connect the printer on a Wireless LAN (Infrastructure Mode).

Does the access point have a WPS button?

Yes

Use the push button auto-connection function to set the connection.

Network Configuration Guide
"Configuring settings for a wireless LAN using automatic push button configuration (WPS)"

No

If a LAN cable is connected to the computer, a wired LAN connection can be used.

Network Configuration Guide
"Configuring settings for a wired LAN connection"

No

Use one of the following methods to set the connection:

- Use a PIN code to set the connection
- Set the connection manually

Network Configuration Guide
"Wireless LAN settings using a PIN code (when automatically acquiring the IP address from the printer)",
"Setting the IP address for the printer manually"

MEMO
Wireless LAN connection, wired LAN connection and USB connection can be used at the same time in any combination.

Connecting a Mobile Device

MEMO

- For details of how to operate a particular mobile device, read the instruction manual for each device.
- For the SSID, password, etc. of the access point, read the instruction manual for each device or contact the network administrator.
- Checking the printer setting contents

When you press the button on the printer for 3 seconds or more, a label is printed indicating the current settings.

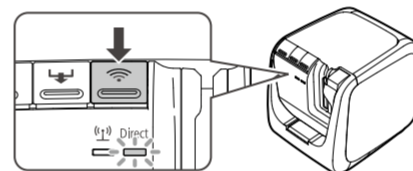
<General>	2.222	<WLAN Simple AP>	
Software	LW-1000PXXXXXX	SSID	DIRECT-LW-1000PXXXXXXX
Printer	EPSON LW-1000P	Password	12345678
Bonjour	EPSON LW-1000P		
WLAN Mode	Infrastructure		
<LAN>			
IP	Auto(192.168.0.1/255.255.255.0)		
MAC	XXXXXXXXXXXX		
<WLAN Infrastructure>			
IP	Auto(0.0.0.0/255.255.255.0)		
MAC	XXXXXXXXXXXX		
SSID	SSIDXXXXXXXX		

Connecting to a printer one-to-one (Simple AP Mode)

Connecting manually

Select the SSID of the printer and connect.

1. Press the button on the printer until the Direct lamp starts flashing to set the printer connection mode to Simple AP mode.



2. Enable Wi-Fi on the mobile device.

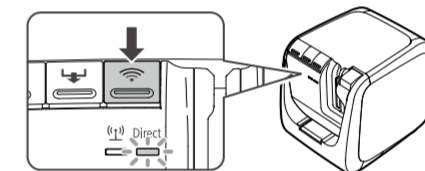
3. From the network list, select the SSID of the printer and then enter the password on the password entry screen.

Default setting upon purchase:
SSID: DIRECT-LW-1000PXXXXXXXX
Password: 12345678

Connecting with WPS

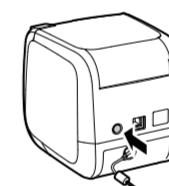
This can be set when a mobile device supports WPS.

1. Press the button on the printer until the Direct lamp starts flashing to set the printer connection mode to Simple AP mode.



2. Enable Wi-Fi on the mobile device and then tap the WPS push button.

3. Press the WPS button on the printer.



Connecting to a printer connected to the network

Connecting manually

Select the SSID of the access point and connect.

1. Enable Wi-Fi on the mobile device.
2. From the network list, select the SSID of the access point and then enter the password on the password entry screen.

Connecting with WPS

This can be set when a mobile device supports WPS.

1. Enable Wi-Fi on the mobile device and then tap the WPS push button.
2. Press the WPS button on the access point.

Creating a Label

1. Creating a label

Create a label using software such as EPSON Label Editor or iLabel.

MEMO

Epson has a variety of custom tapes available for many different applications. For more information, see the Supplies Catalog provided with the printer. [Supplies Catalog](#)

2. Printing a label

When using a computer

1. Click the Print icon.

When using a smart device

1. Tap the Print icon.
2. Select the LW-1000P.

3. Attaching a label

1. Peel off the backing paper.

Backing paper



2. Attach the label and rub it firmly.



MEMO

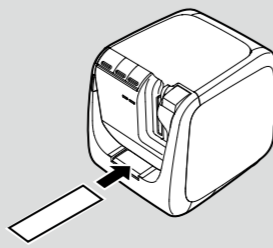
If you set the tape cutting method to "Half cut", only the label surface is cut when several labels are printed consecutively, making it easier to peel off the labels. See the Label Editor User's Guide for the detailed procedures. [Label Editor User's Guide](#)

Cutting rounded label corners

You can use the auto-trimmer to round off label corners.

1. Insert the tape in the tape insertion slot, following the guide.

The tape is cut to form rounded label corners.



Troubleshooting

This section describes how to resolve printer operation and label printing problems. See the Network Configuration Guide for how to deal with network settings or connection problems.

Printer's button does not light.

Check that the power cable is properly connected. If the button still does not light, contact your place of purchase or the Epson customer support center.

Printer does not print when print operation is directed.

- If a message is displayed on your computer screen, check the message information.
- Check that connection cables are connected properly, that the tape cartridge is mounted properly, and that the cover is closed properly.
- Have you selected the printer to be used? Printing will not be done properly if another printer is selected.
- Did you restart the computer after installing the printer driver? The printer driver may not be installed correctly if the computer was not restarted. Reinstall the printer driver.

Text is not printed properly.

- Check that the tape cartridge is properly mounted.
- Print at a low speed. Change the setting in the printer settings of the printer driver.

Lines appear on printed labels.

The print head is dirty. Clean the print head.

Canceling a print job

Check the printer's power in ON, then press the button on the front of the printer briefly once.

Labels are not cut automatically

- Check if the cut setting is set to "Don't cut" in the printer settings of the Label Editor software. [Label Editor User's Guide](#)
- Is the cutter blade worn? Prolonged use of the cutter can wear down and blunt the blade. Contact the Epson customer support center.

Half cut function doesn't work properly.

- Is the printer set to "Half cut" or "Don't cut"? Check the settings.
- Is the cutter blade worn? Prolonged use of the cutter can wear down and blunt the blade. Contact the Epson customer support center.

Trimmer doesn't cut properly.

- Is the printer printing? The trimmer doesn't operate during printing.
- Was the label inserted properly in the trimmer tape insertion slot? Insert the label into the slot following the guide.
- Is the printer clogged with tape scraps? Remove the trimmer cover, and remove the tape scraps.
- Are you using 6 millimeter-wide tape? You cannot cut 6 millimeter-wide tape with the trimmer.
- Is the cutter blade worn? Prolonged use of the cutter can wear down and blunt the blade. Contact the Epson customer support center.